

Part Number: T103B4401A



© Copyright Mann Teknik AB

[https://configurator.manntek.se/DDC/TANKUNIT/1/1/SS/THREAD/F\\_1\\_BSP\\_A/VITON/NONE/DEFAULT/WITHOUT/WITHOUT/PTFE\\_DEFAULT/Product14.html](https://configurator.manntek.se/DDC/TANKUNIT/1/1/SS/THREAD/F_1_BSP_A/VITON/NONE/DEFAULT/WITHOUT/WITHOUT/PTFE_DEFAULT/Product14.html)

### Product Group

#### **Dry Disconnect Couplings**

Hose unit with swivel, typically mounted on hose assemblies and loading arms for temporary connection to storage tanks and mobile transport units, for loading and unloading.

Tank unit without swivel, typically fix mounted as filling connector on storage tanks, mobile tanks like IBC and ISO containers, road tankers, rail tank containers and ship manifolds.

Quick and safe connection of hose assemblies and loading arms to mobile and stationary tanks, under pressure and with minimised liquid loss.

The standardised interface to STANAG 3756 with its bayonet coupling principle has been widely accepted in the industry. Both coupling parts are equipped with a flat poppet valve.

For the connection, the hose unit is pushed onto the tank unit and coupled / sealed by turning the coupler clockwise by 15 degrees. When the unit is turned by 100 degrees, the valves move into the tank unit so that the medium can flow. When a similar turn is made counter-clockwise, the flow is stopped and the coupler can be pulled off.

Certificates: DDC couplings fulfill the requirements of European Pressure Equipment Directive category 2 (for higher demand on request).

They are suitable for the use in potentially explosive atmosphere (ATEX) zone 1, approved for the transport of dangerous goods on road (ADR), by rail (RID) and by ship (IMDG), specified as a branch standard from European Chemical Industry (CEFIC) for handling of Ethylene Oxide/Propylene Oxide, Acrylic Monomers, Acrylonitrile, polymeric MDI/TDI and Vinyl Chloride.

TÜV TÜ.AGG 304-99, APRAGAZ File ref. 0302/P5832, Lloyd's Register 0038/ATEX/HAM064017,

TDT-UW-21/16, EAC TC No. RU Д-SE.MЮ62.B.02151

### Type of Coupling

#### **Male (Tank Unit, Adapter)**

Self locking quick connect/disconnect coupling, to STANAG 3756, for liquid media. Tank unit without swivel, typically fix mounted as filling connector on storage tanks, mobile tanks like IBC and ISO containers, road tankers, rail tank containers and ship manifolds.

Quick and safe connection of hose assemblies and loading arms to mobile and stationary tanks, under pressure and with minimised liquid loss.

The standardised interface to STANAG 3756 with its bayonet coupling principle has been widely accepted in the industry. Both coupling parts are equipped with a flat poppet valve.

For the connection, the hose unit is pushed onto the tank unit and coupled / sealed by turning the coupler clockwise by 15 degrees. When the unit is turned by 100 degrees, the valves move into the tank unit so that the medium can flow. When a similar turn is made counter-clockwise, the flow is stopped and the coupler can be pulled off.

Nominal Diameter /  
Socket Diameter

**1" (Ø 56 mm)**

For industrial process plant, road and rail tankers, IBC containers, Pharmaceutical and Petrochemical industries etc.

Connections: ¾", 1" and 1¼" in BSP, NPT and Flanged inlet.

Version

**Version 1**

Body Material

**Austenitic Stainless Steel**

Maximum Working Pressure 25 bar

Test Pressure 37,5 bar

Minimum Burst Pressure 125 bar

Connection

**Threaded Connection**

Connection Detail

**F 1" BSP**

1" BSP female to EN ISO 228

Connection Detail

**Technical Drawing**

O-Rings

**Viton® (FPM/FKM) Standard**

FKM/FPM (Fluorocarbon Rubber): FKM is known especially for its non-flammability, low gas permeability and excellent resistance to ozone, weathering and aging.

The operating temperatures of the Fluorocarbon Rubber range between -20° C and +200° C).

FKM is often used with mineral based oils and greases at high temperatures, aliphatic, aromatic and chlorinated hydrocarbons and oxidizing acids.

Options: Special Types

**No Special Types required**

Options: Handle

**No Handle**

Options: Selectivity

**No Selectivity**

Accessories

**Without Dust Cap**

Not recommended



Flat Seal

**PTFE (Default)**

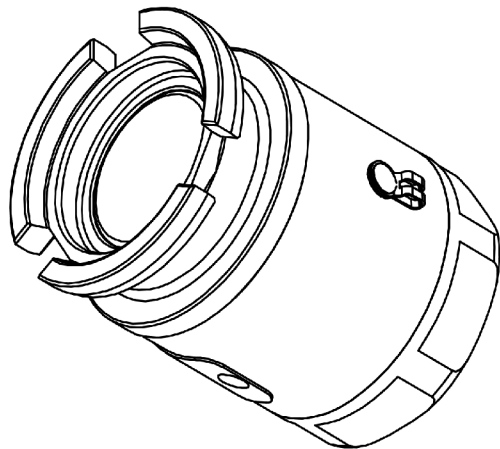
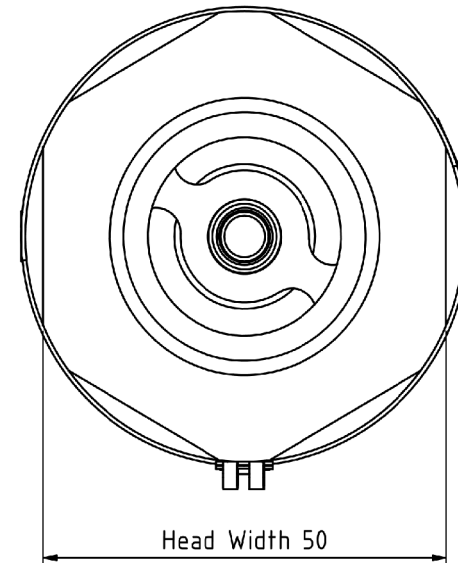
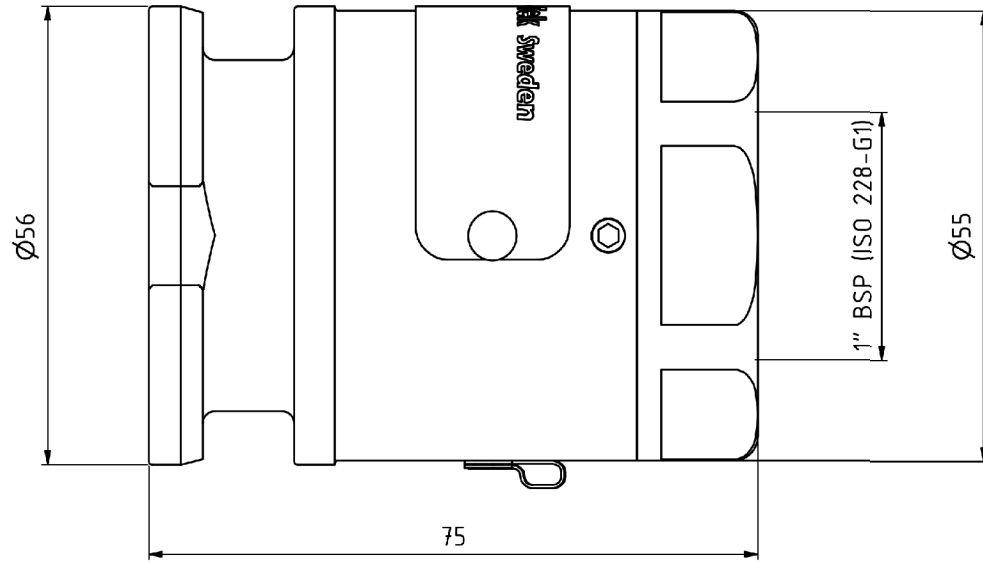
### PDF Documents

 [Homepage DDC-Couplings \(Dry Disconnect Couplings\)](#)

### Contact Data:

Mann Teknik AB  
Strandvägen 16  
SE-542 31 Mariestad / Sweden  
Telefon:+46 501 39 32 00  
Telefax: +46 501 39 32 09  
Internet: <http://www.manntek.se>

Notice: This drawing contains proprietary information and shall not be used, reproduced or its contents disclosed in whole or in part, without the prior written consent of the Mann Teknik AB



**MannTek**

T103B4401A-1  
Dry Disconnect Couplings  
1" ( $\varnothing$  56 mm)  
F 1" BSP